



**720p Dome Colour CCTV Camera
Normal Image
Part 0-776-06**



WARNINGS

Before using this unit please read these instructions carefully. Take special care to follow the warnings and safety suggestions listed below. Keep these instructions for future reference.

There are no user-serviceable parts within the unit, refer servicing to qualified service personnel.

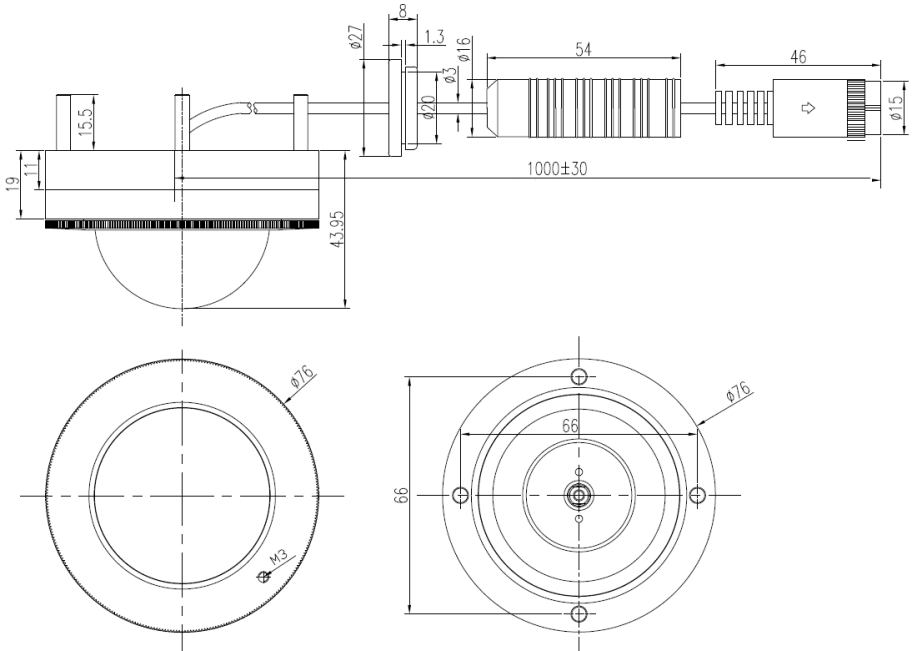
PRECAUTIONS

- Please ensure you are familiar and comply with local traffic and driving regulations.
- **Connection** - The camera should only be connected to a Durite cctv system.
- **Heat** - Do not install the camera near heat sources.
- **Mounting** - Ensure the camera is facing the desired direction before fixing the camera base. If fixing to isolated return chassis the camera bracket should be isolated from the vehicle chassis.
- **Service** - The user should not attempt to service these units beyond that described in these instructions. All other servicing should be referred to an authorised service technician.

GENERAL

The camera has a CMOS image sensor which gives a high quality picture and its solid state circuitry provides extremely long life. Compact size and single connection make it easy to install. Automatic gain control (AGC) provides a clear image in both strong sunlight and low light conditions, if lighting conditions fall below a set level the Infra-red LEDs will illuminate. It is recommended that all camera lead connections are additionally sealed by either wrapping with a suitable tape or application of heat shrink sleeving. It is recommended to connect the system and test before fixing to ensure the correct field of view is displayed.

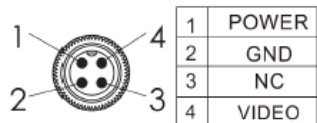
DIMENSIONAL DRAWING



SPECIFICATION

Product Type.....Dome Camera
 Image Sensor.....1/3 inch Sony CMOS
 Resolution (TV line)..... 720p
 Effective Pixels.....PAL 1280 (H) x 720 (V)
 View Angle.....150°
 TV System.....PAL
 Waterproof rating.....IP69K
 AGC.....Auto
 Image Lens.....2.1mm
 Min illumination.....0.1 Lux (0 Lux with iR)
 Electronic Shutter..... 1/50,000 Seconds
 Current consumption.....Max.220mA
 Video output.....1.0vp-p, 75ohm
 Power voltage.....DC 12V
 S/N Ratio.....Better than 48db(AGC-OFF)
 Connector type.....4 PIN aviation
 Audio.....No
 Operating Temp.....-20°C~70°C,RH95% MAX
 Storage Temp.....-30°C~80°C,RH95% MAX
 Certificates.....E Marked

Female Aviation Plug



1	POWER
2	GND
3	NC
4	VIDEO